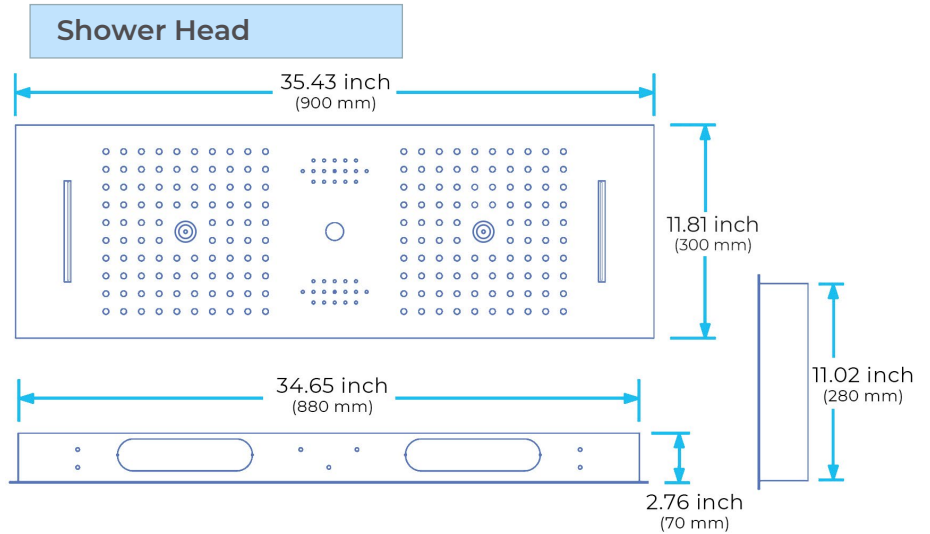


MATTE BLACK PHONE CONTROLLED THERMOSTATIC LED RECESSED CEILING MOUNT MUSICAL RAINFALL LUXURIOUS SHOWER SYSTEM WITH HAND SHOWER AND 6 JETTED BODY SPRAYS SPECIFICATIONS



- Shower Panel /Hose Material: 304 Stainless Steel
- Shower Head Size: 900*300 mm
- Showerheads Install: Embedded Ceiling Mounted
- Concealed Mixer Install: Wall-Mounted
- LED Shower Head Functions: Rainfall, Waterfall, Mist, Water Column
- Water Pressure: 0.3 MPA
- Water Flow: 16L/min~28L/min
- Shower Accessories Material: Brass
- LED Light: Need to Connect Power
- LED Light Color: 64 Color
- Shower Hose Length: 1.5M
- AC: 100-265V 50/60Hz
- Music: Need Bluetooth



Product shown is only for installation display purpose

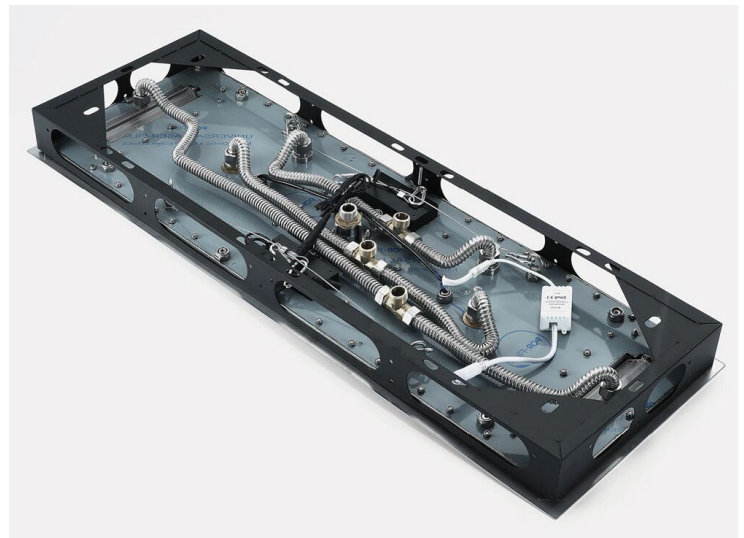
Kinds of color **64** temperature adjustable

WiFi

Built-in WIFI

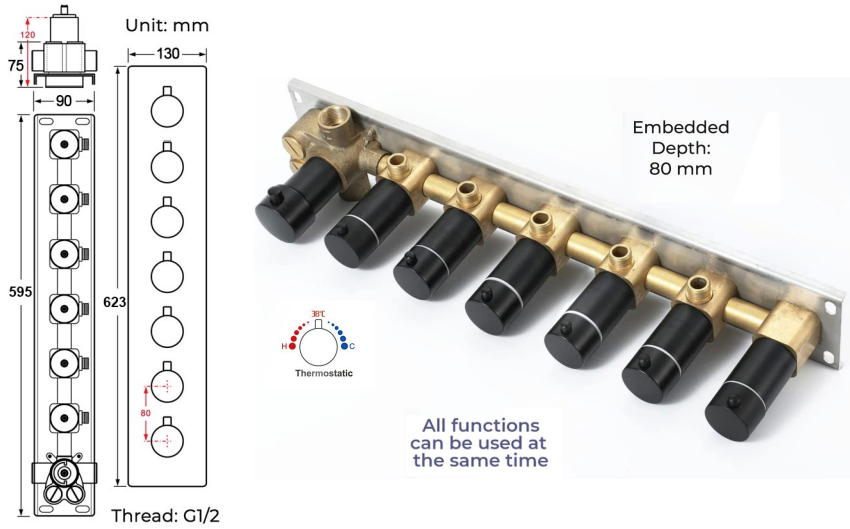
Phone control color

Color software App install instruction download name: Smart Life



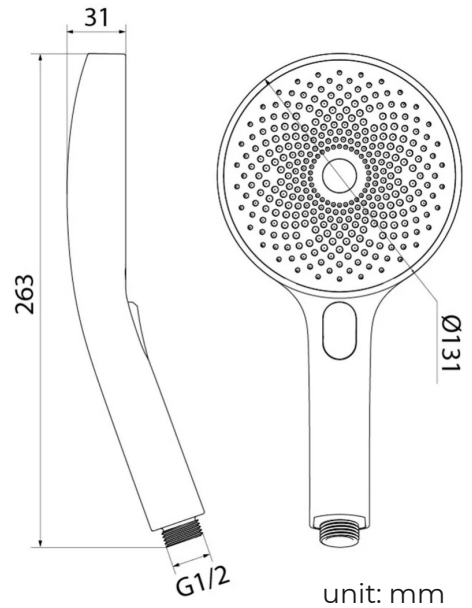
All dimensions and specifications are nominal and may vary. Use actual products for accuracy in critical situations.

Shower Mixer



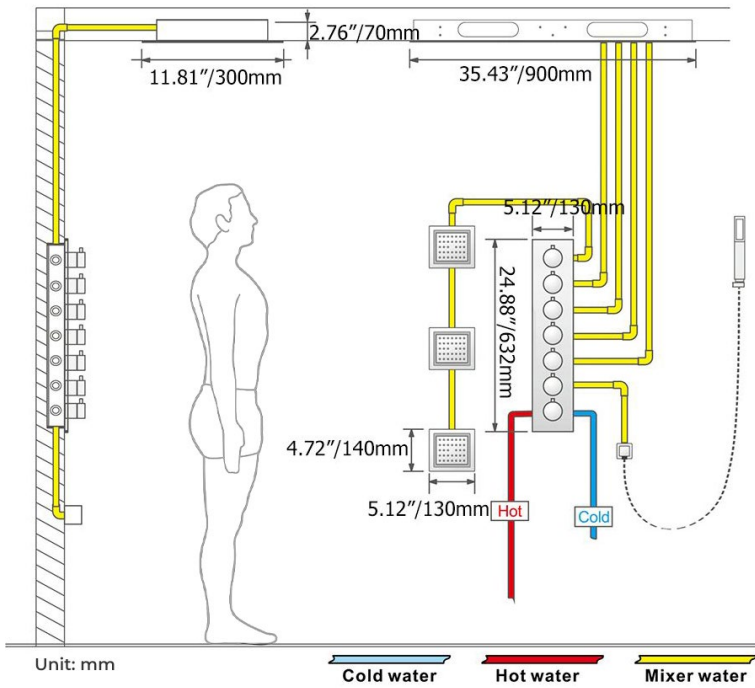
Product shown is only for installation display purpose

Hand Shower

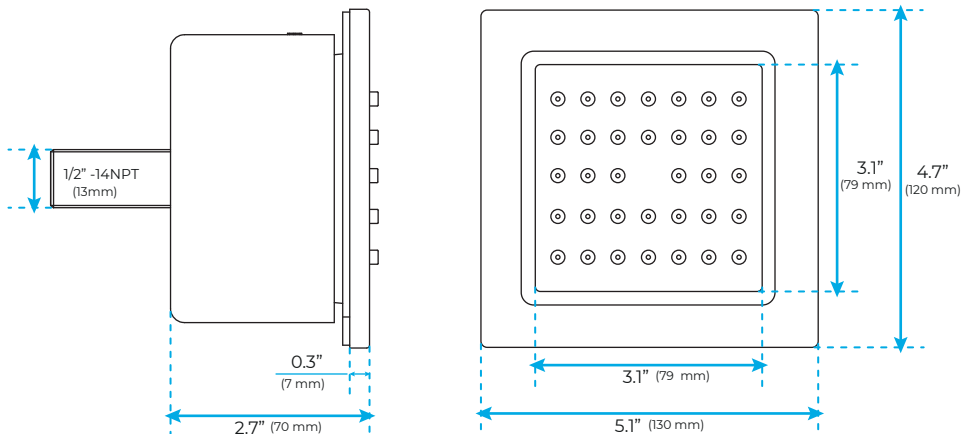


Flow Rate: 2.0 GPM / 7.6 LPM

Shower Mixer Connections



Body Jet



FEATURES

- Material: Brass
- Base Plate Height: 5-1/8"
- Base Plate Width: 5-1/8"
- Jet Surface Area: 3-1/8"
- Surface Depth: 1/4"
- Adjustment Angle: 5°
- Male NPT Connection: 1/2"
- Maximum Flow Rate: 2.5 GPM (9.5L/min) max @ 80 psi